

Species Available:

Millennium

Shutter Sizes:

Width Range:* 10" – 24"

Height Range:* 18" – 96"

Thickness: 1"

Louver Size: 1-1/2"

Louver Spacing: 1-1/2"

*Sizes are in 1/8" increments

Stiles and Rails:

Stile Width: 2-1/4"

Top Rail Width: 2-1/4"

Mid Rail Width: 2-1/4"

Bottom Rail Width: 3" - 5-1/2"

Sticking Detail: Eased Edge

Finishing:

Primed - Standard

Standard or custom prefinish colors available

Options:

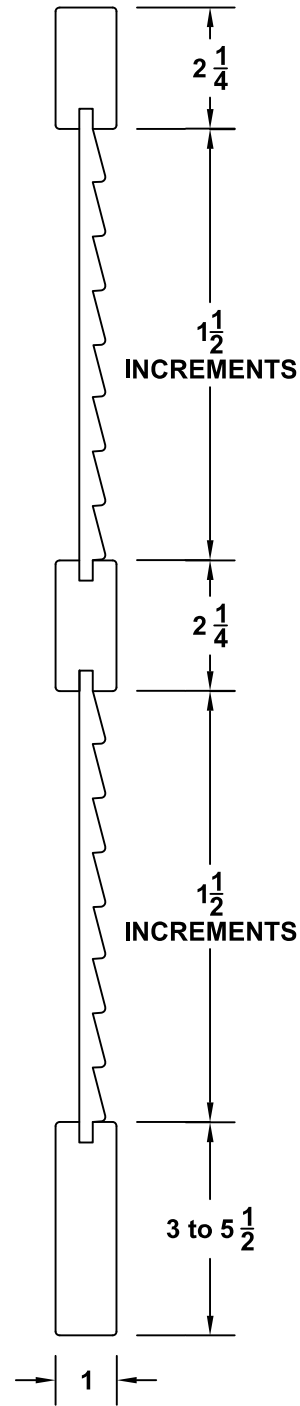
Custom mid rail location

Multiple mid rails

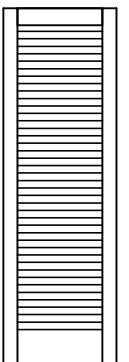
Prefinishing available

Radius, segment or angled top

Fixed Mounting Hardware



MILLENNIUM FAUX LOUVER SHUTTERS



Millennium Wood Composite Faux Louver shutters are built using dowel construction. They feature eased edge stiles and rails and "flush face" design (all stiles and rails are the same thickness). Millennium shutters are primed with an option for prefinishing with either standard or custom colors.